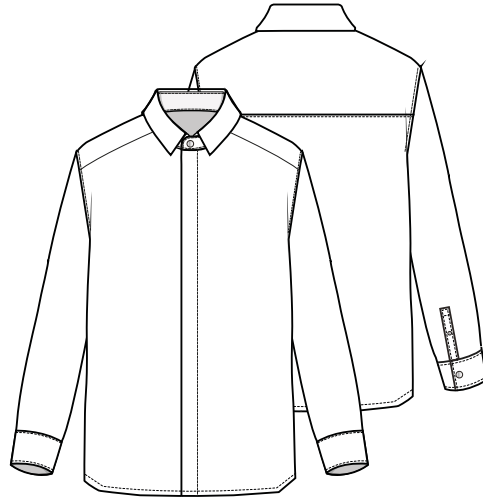




PORTFOLIO 2024



4WAY STRCH BLAZER



COTTON REGULAR SHIRT



STRAIGHT LEG PANT WITH



STRAIGHT LEG PANT WITH BOTTOMS



DOUBLE BREASTED WOOL COAT



POLO ZIP JACKET



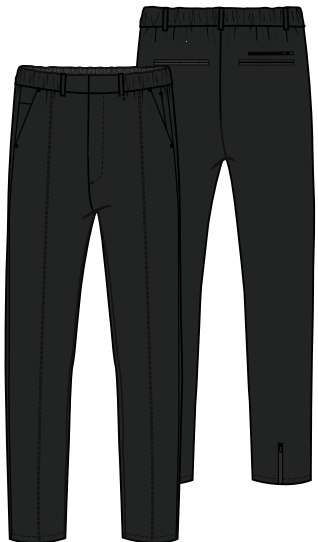
WORK JACKET SHEARLING



CASHMERE ZIP HOODIE



NYLON TECHNICAL GILET



PANT WITH ZIPS



LS POLO SHIRT

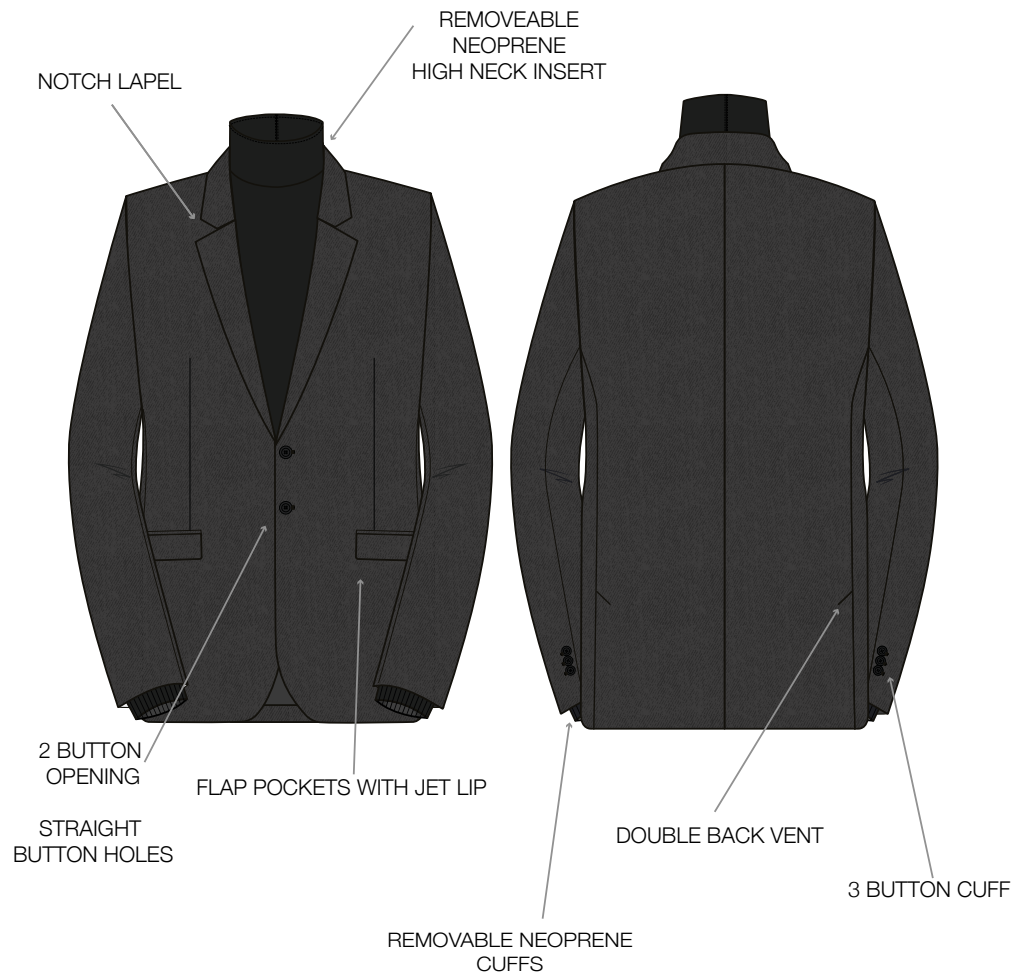


ELASTICATED LEG PANT



NYLON ZIP JACKET

FABRIC: 4WAY STRECH WOOL

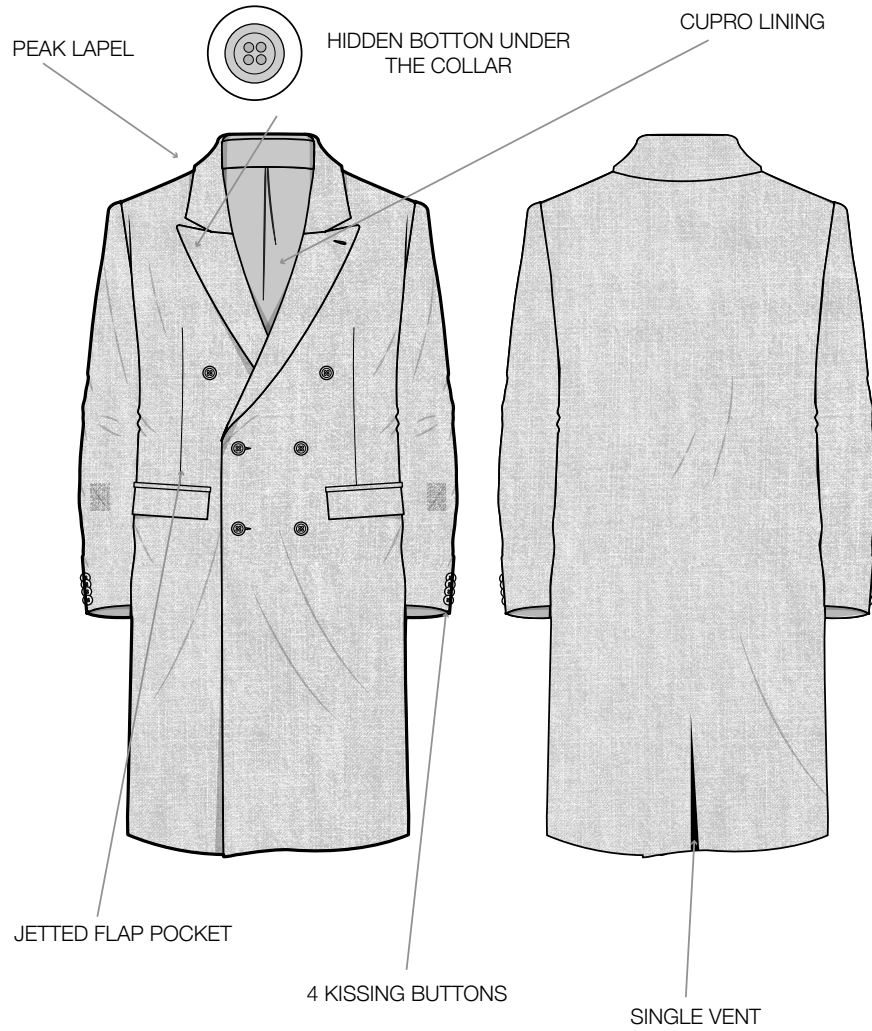


FABRIC: 4WAY STRECH WOOL

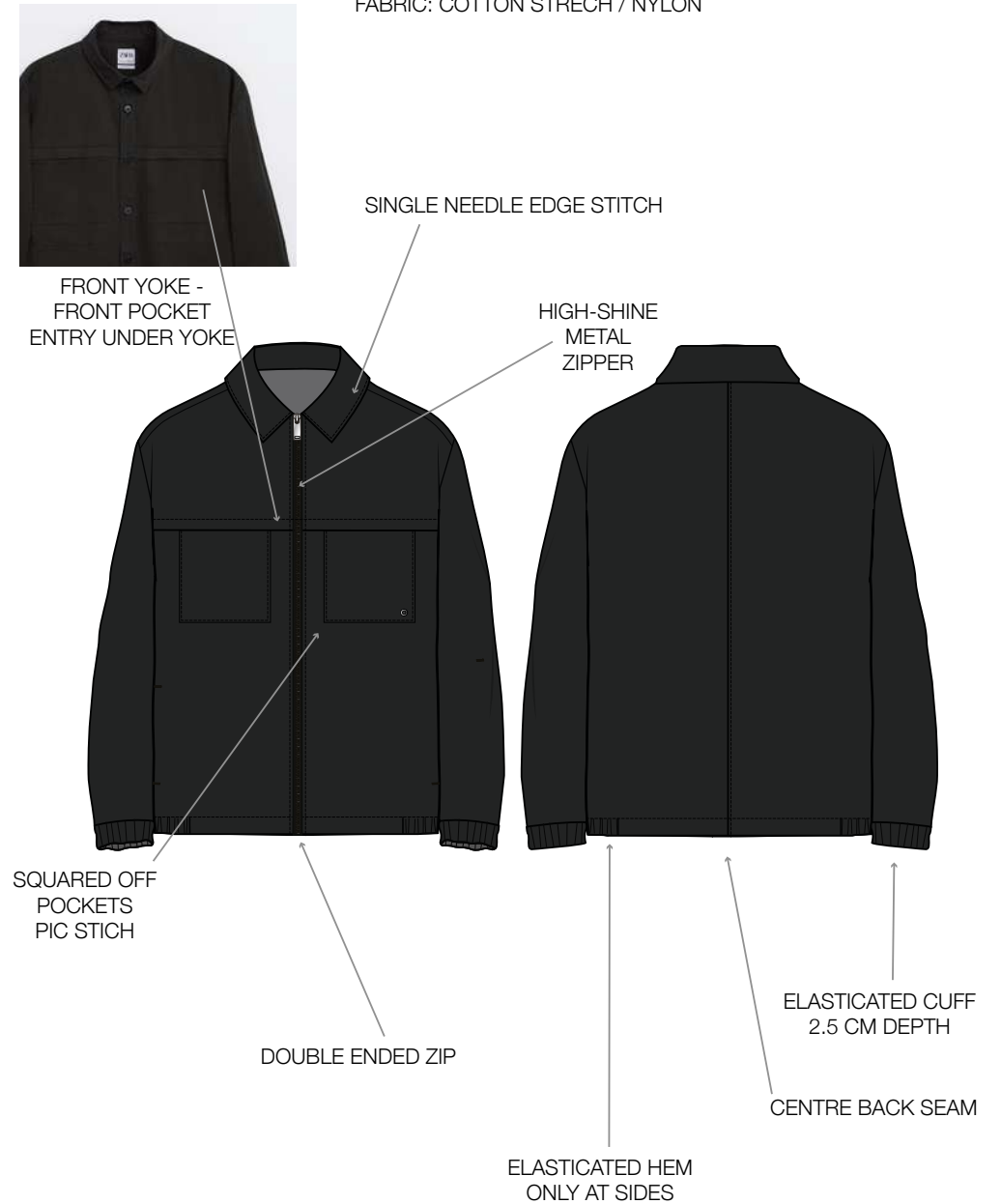


MENSWEAR COLLECTION FW 24 TECH SHEET - DOUBLE BREASTED WOOL COAT / POLO ZIP JACKET

FABRIC: CASHMERE / WOOL



FABRIC: COTTON STRECH / NYLON



MENSWEAR COLLECTION FW 24 TECH SHEET - PANT WITH ZIPS / WORK JACKET SHEARLING

FABRIC: COTTON STRECH/ NYLON

FABRIC: LEATHER WITH FLEECE SHEARLING LINING

EXTENDED COIN POCKET
OFFERS MORE SECURITY
FOR BELONGINGS

PINTUCK FRONT



BLUFF WAISTBAND
AND BLUFF BELT LOOPS



WATERPROOF BLACK
MATTE ZIP

BLUFF BACK
JET POCKETS



HIDDEN SIDE POCKET

WATERPROOF
BOTTOM ZIPS



METAL TIPPED
DRAWCORD HOOD



SLANTED POCKETS

DOUBLE ZIP



ELASTICADED CUFF AND HEM

MENSWEAR COLLECTION FW 24 TECH SHEET - PANT WITH ZIPS / WORK JACKET SHEARLING

FABRIC: COTTON STRECH/ NYLON

FABRIC: LEATHER WITH FLEECE SHEARLING LINING

EXTENDED COIN POCKET
OFFERS MORE SECURITY
FOR BELONGINGS

PINTUCK FRONT



BLUFF WAISTBAND
AND BLUFF BELT LOOPS



WATERPROOF BLACK
MATTE ZIP

BLUFF BACK
JET POCKETS



HIDDEN SIDE POCKET

WATERPROOF
BOTTOM ZIPS



METAL TIPPED
DRAWCORD HOOD

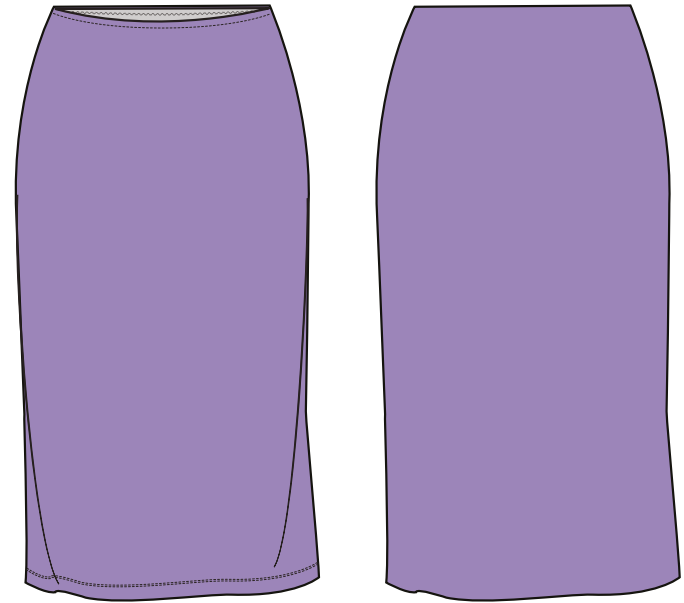
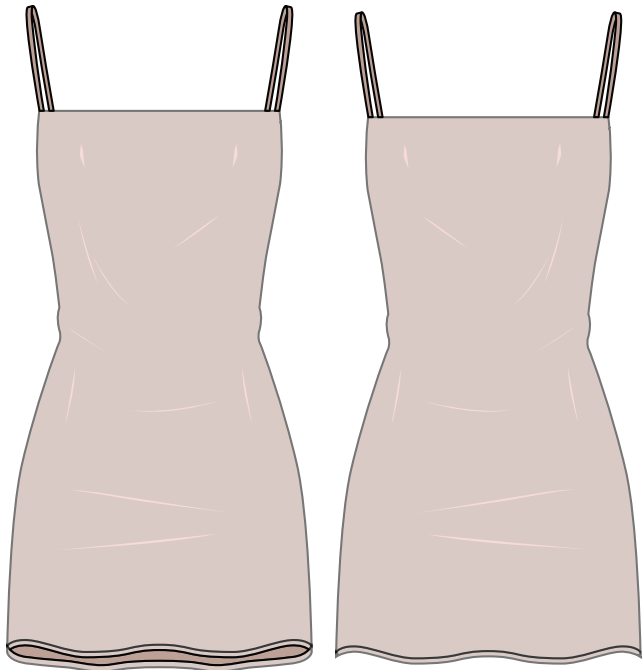
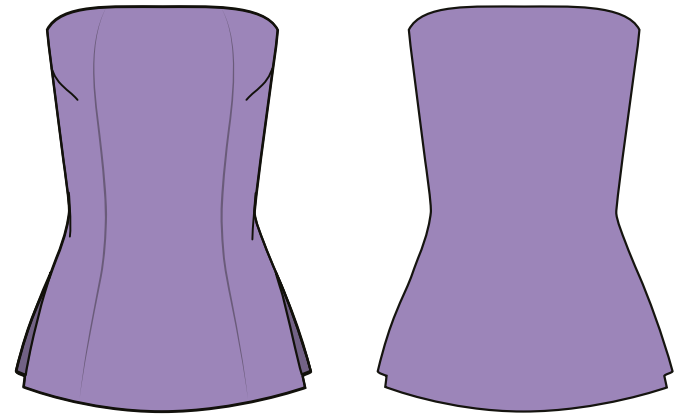


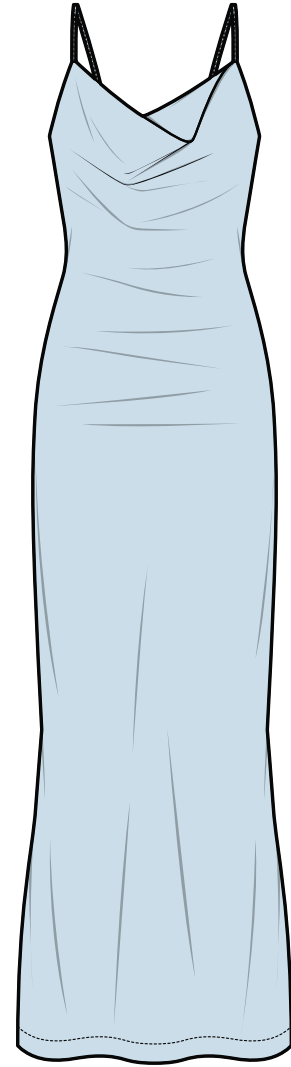
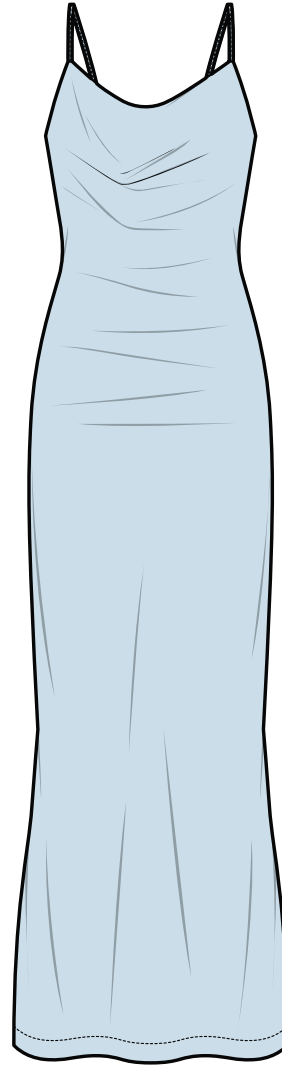
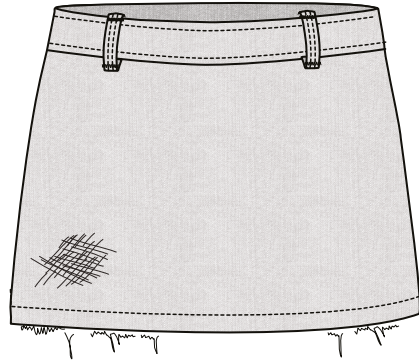
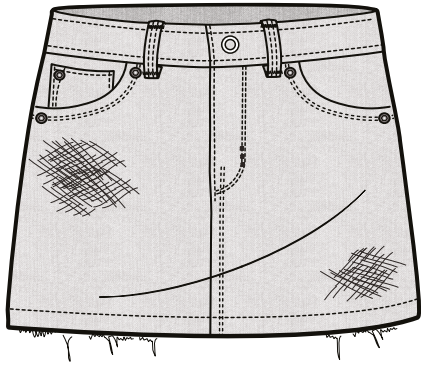
SLANTED POCKETS

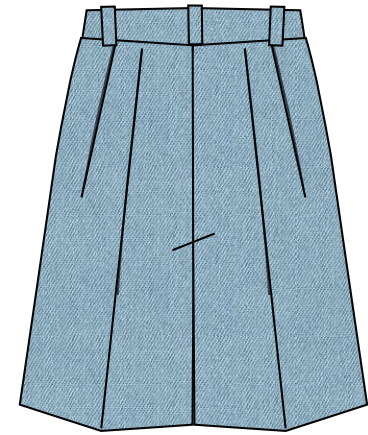
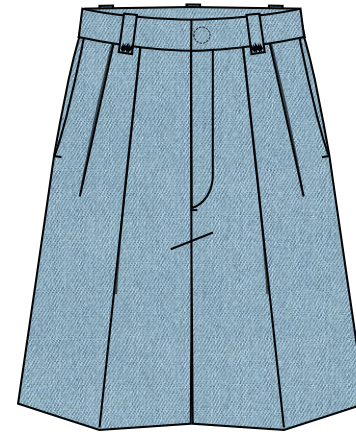
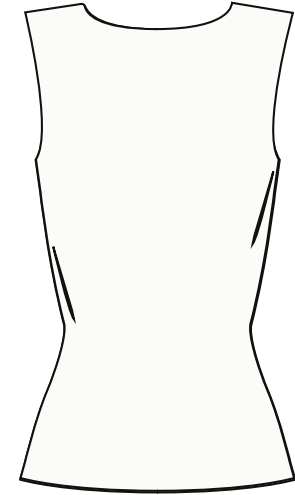
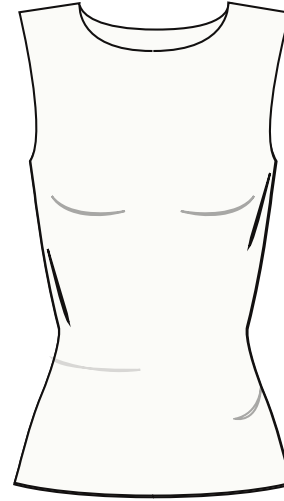
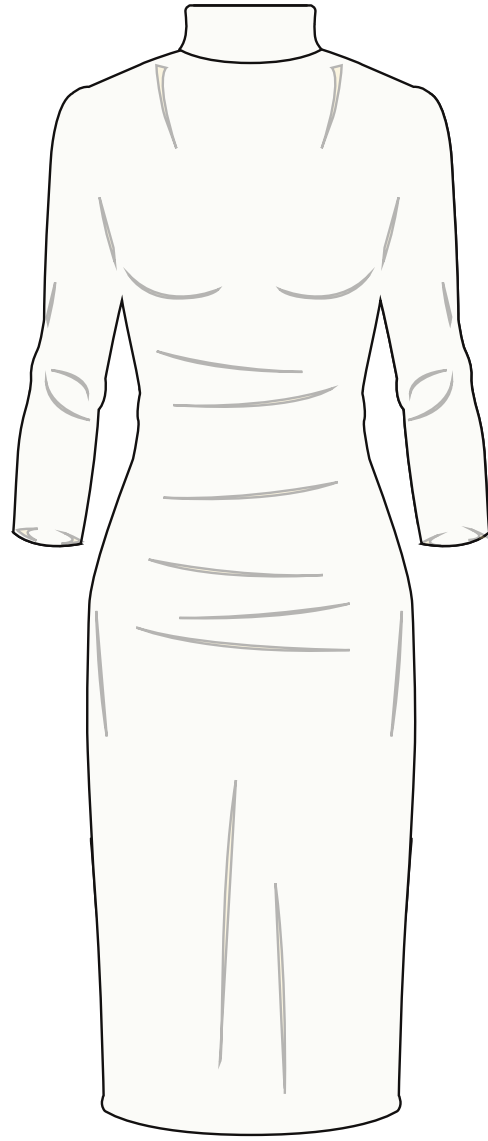
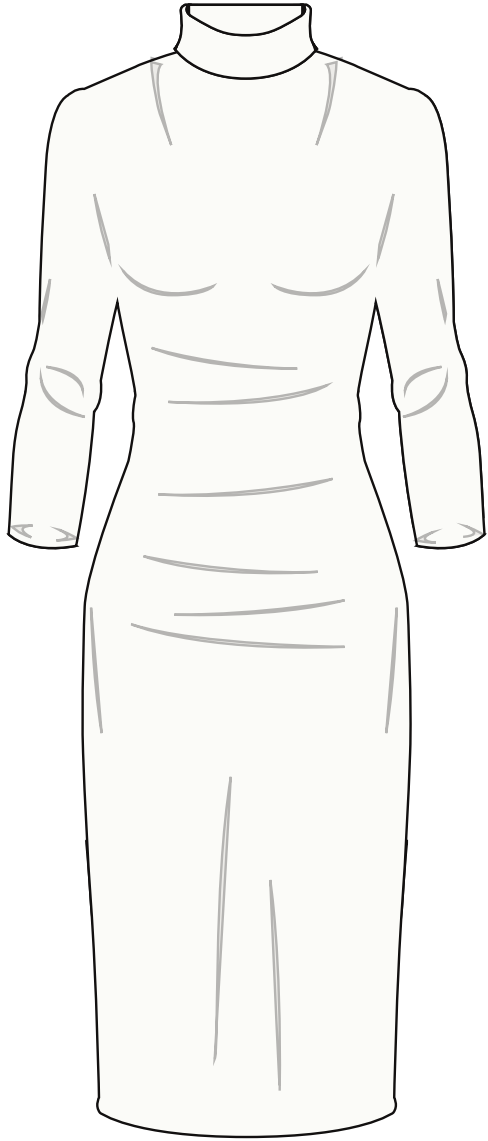
DOUBLE ZIP

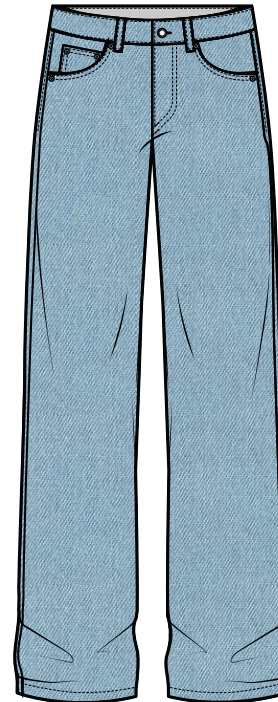


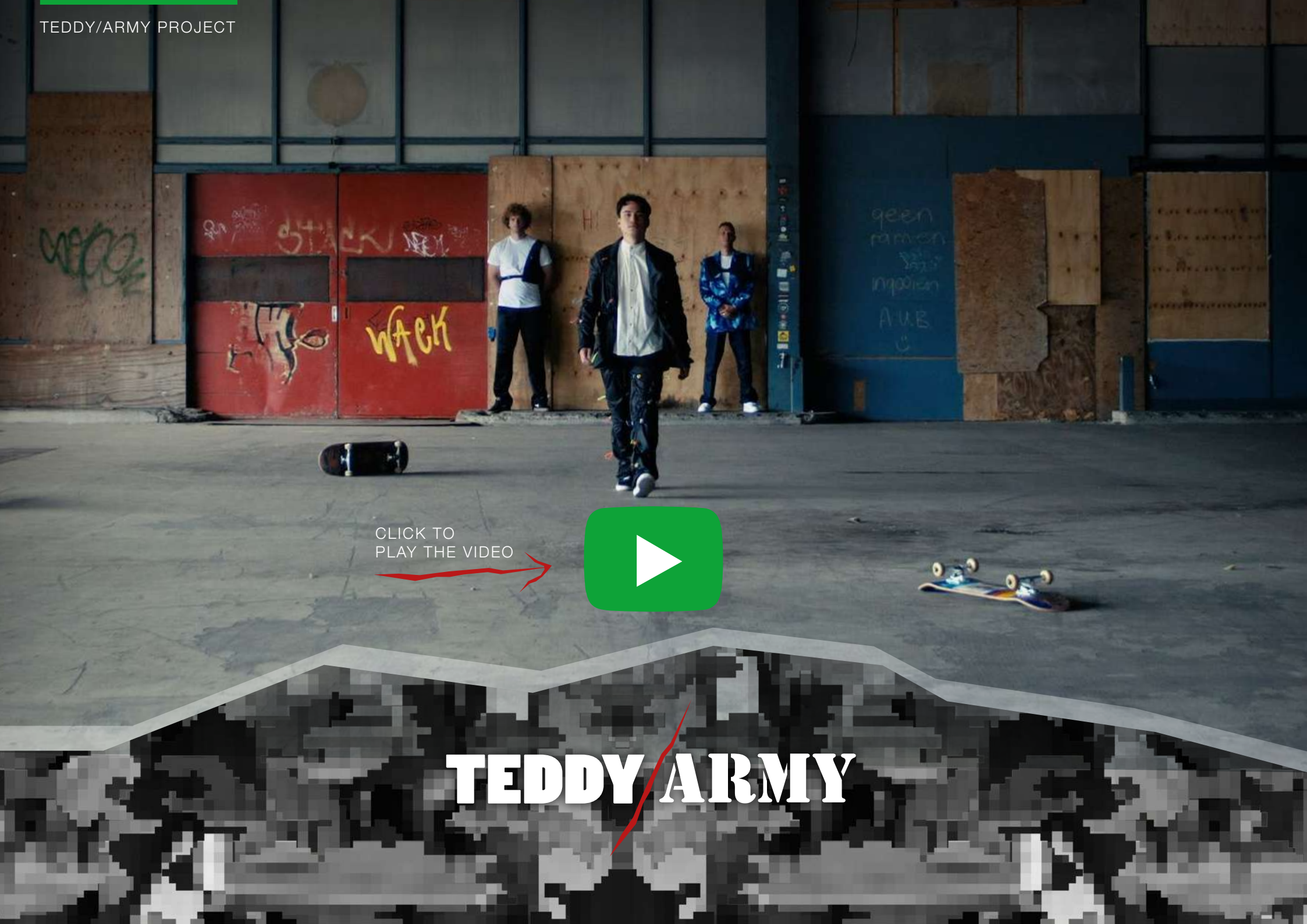
ELASTICATED CUFF AND HEM









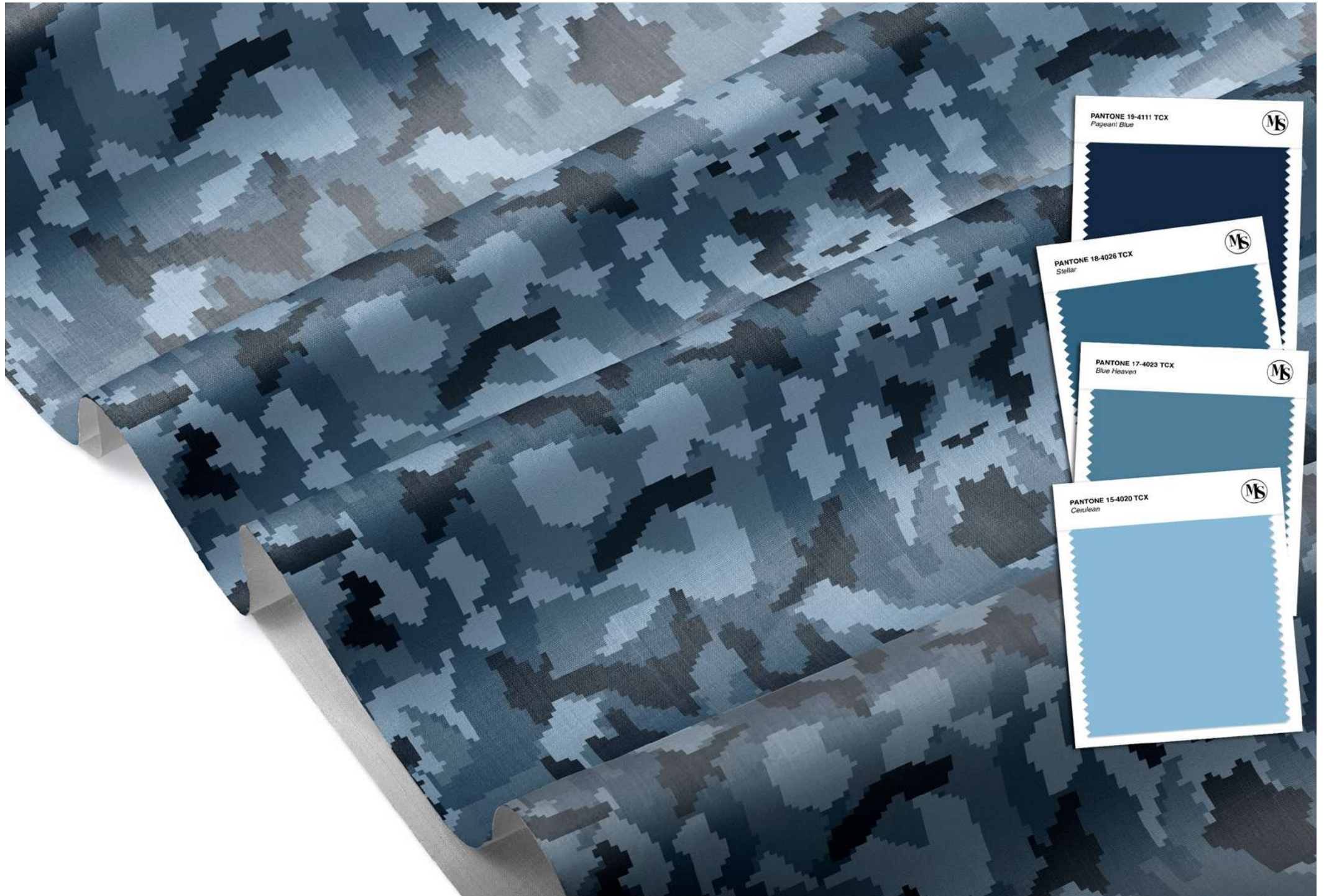


CLICK TO
PLAY THE VIDEO



TEDDY / ARMY

COLOUR BOARD & FABRIC DESIGN - TEDDY/ARMY COLLECTION



PANTONE 19-4111 TCX
Pageant Blue

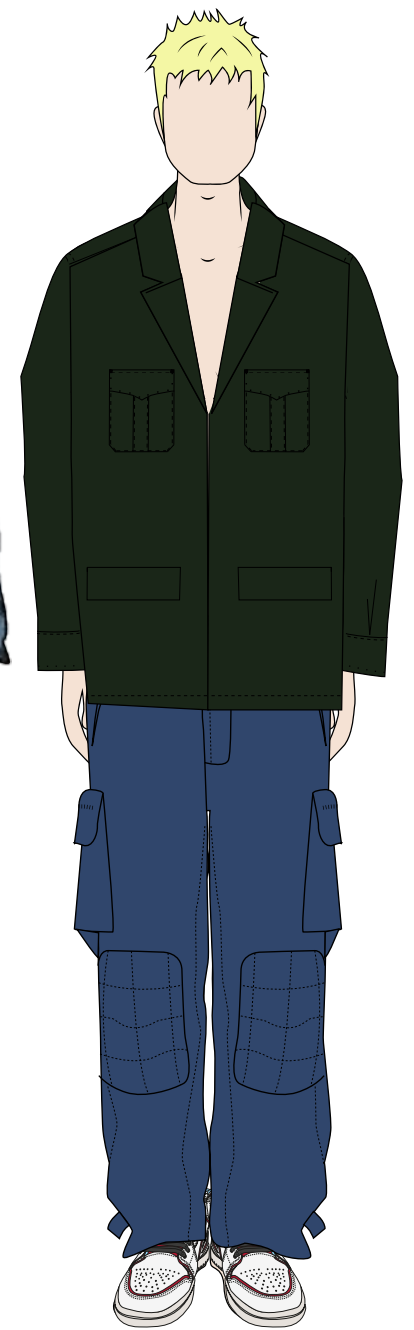
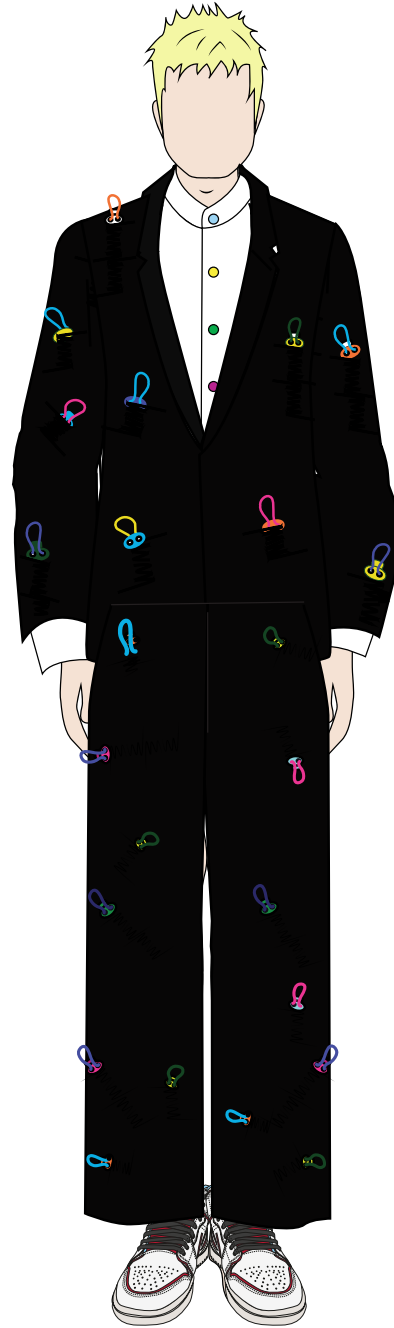
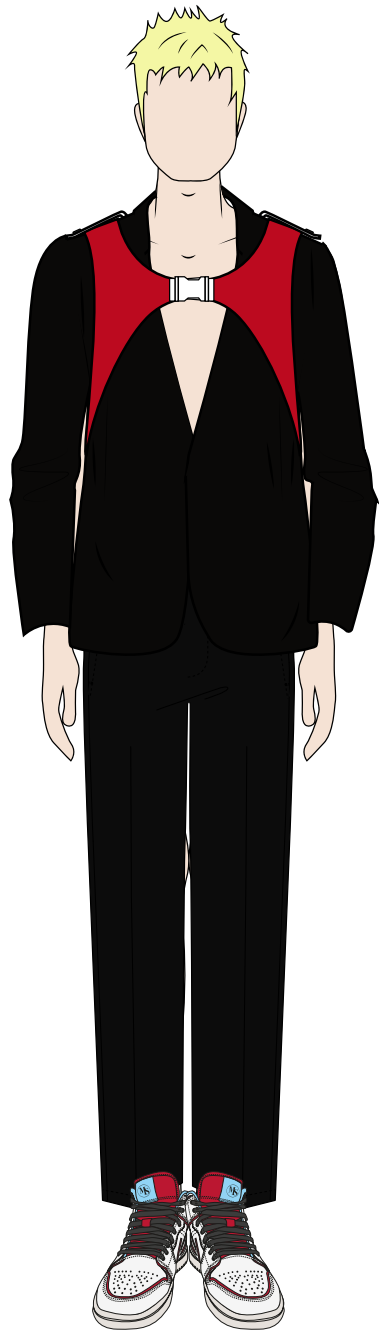
PANTONE 18-4026 TCX
Stellar

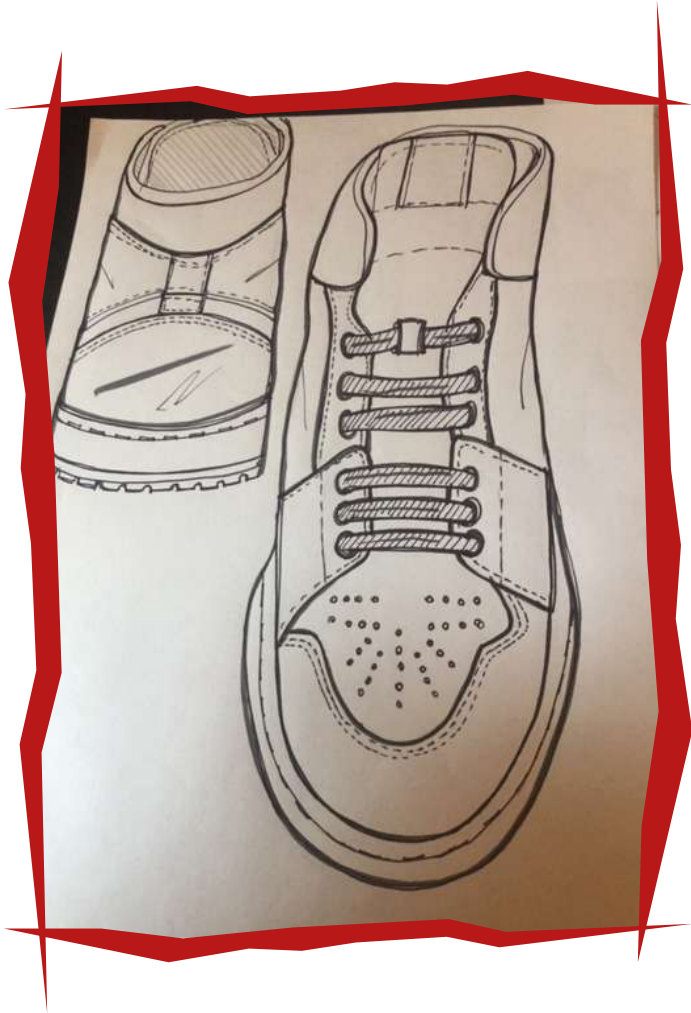
PANTONE 17-4023 TCX
Blue Heaven

PANTONE 15-4020 TCX
Cerulean

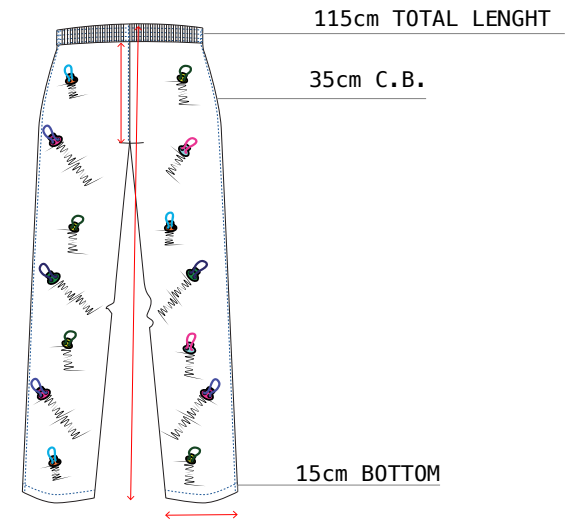
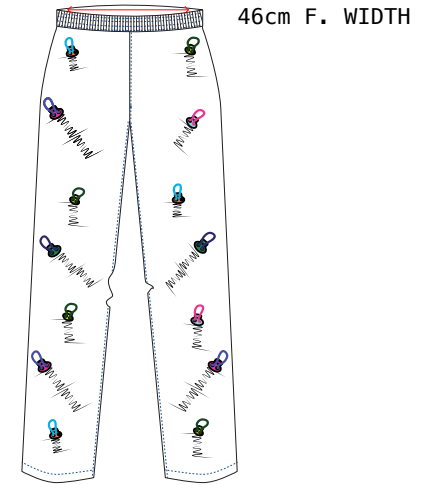
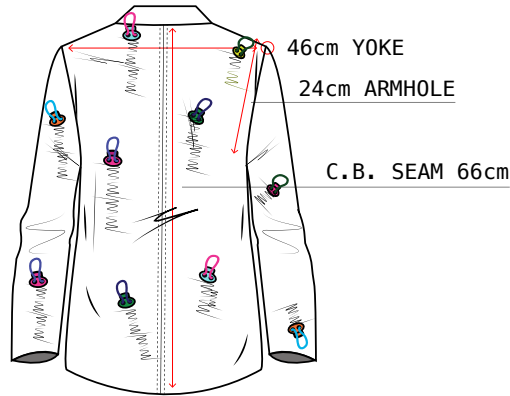
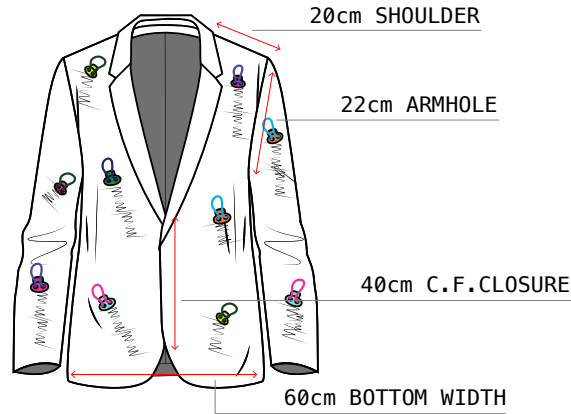
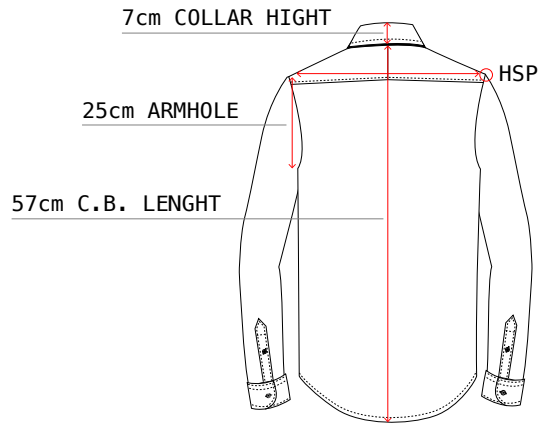
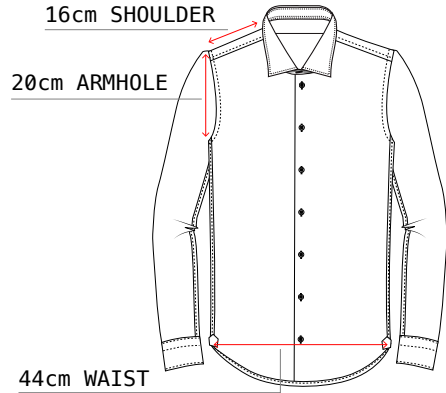


FINAL LINEUP - TEDDY/ARMY COLLECTION





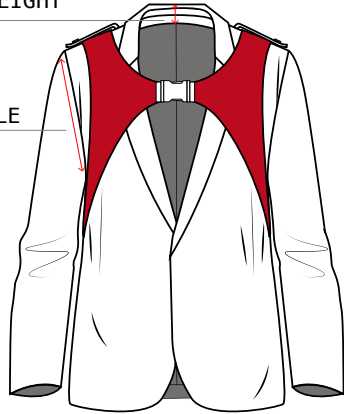
OUTFIT 1
SEASON: MENSWEAR FALL/WINTER
STYLE: SHIRT + JACKET + TROUSERS
DESIGNER: MARIA SOLE NOVELLI



OUTFIT 2
SEASON: MENSWEAR FALL/WINTER
STYLE: JACKET + T-SHIRT + TROUSERS
DESIGNER: MARIA SOLE NOVELLI

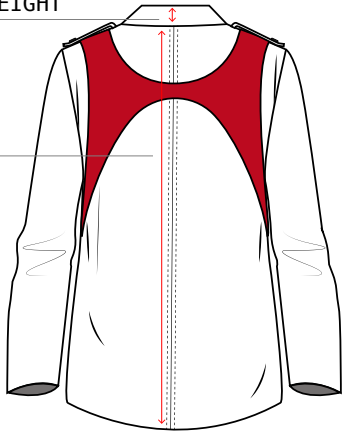
7cm F. COLLAR HEIGHT

20cm ARMHOLE



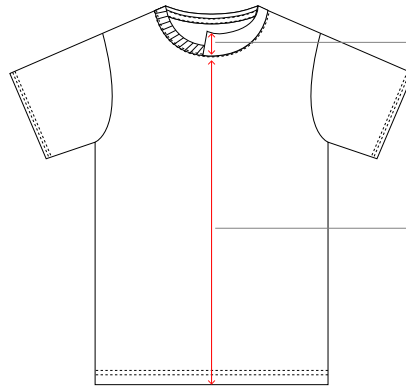
4cm B. COLLAR HEIGHT

57cm C.B LENGTH



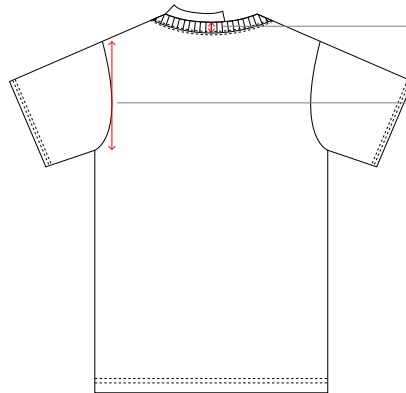
7cm C.F. COLLAR HEIGHT

57cm TOTAL LENGTH

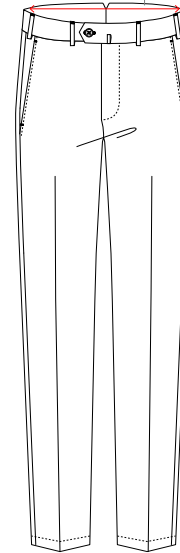


4cm C.B. COLLAR HEIGHT

20cm ARMHOLE



46cm F. WIDTH

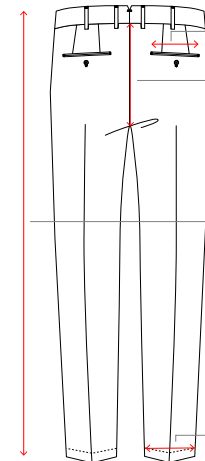


12cm B. POCKET WIDTH

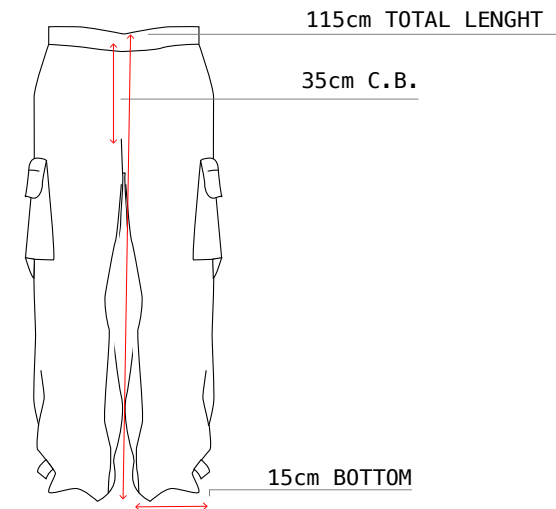
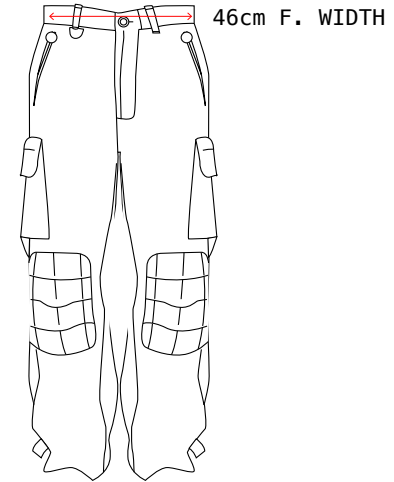
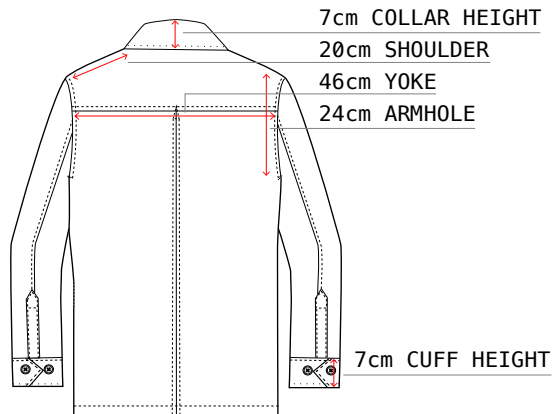
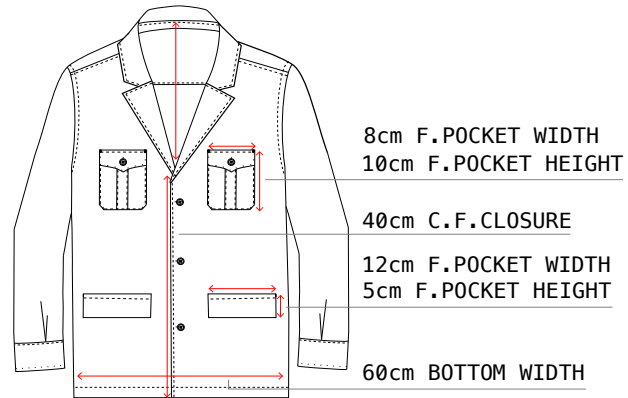
35cm C.B.

115cm TOTAL LENGTH

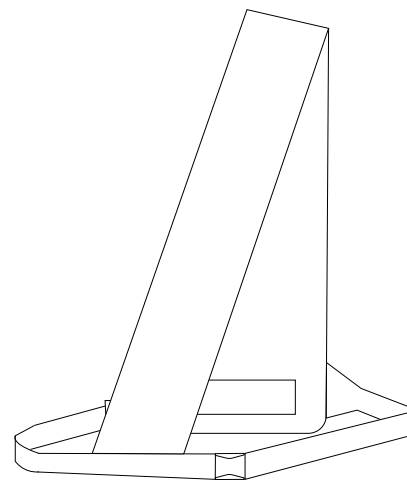
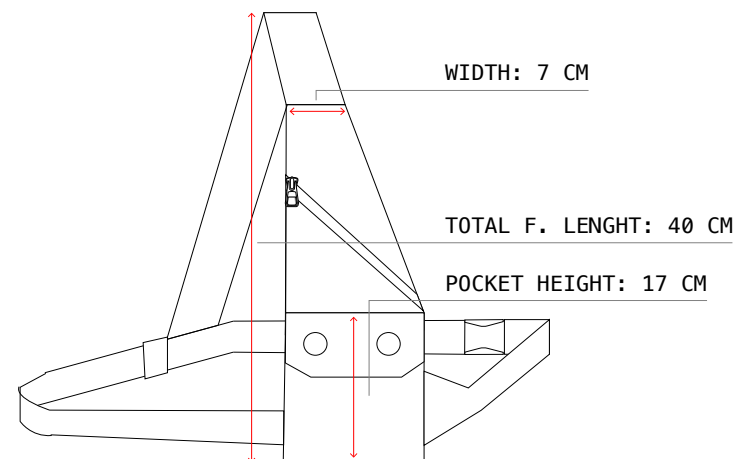
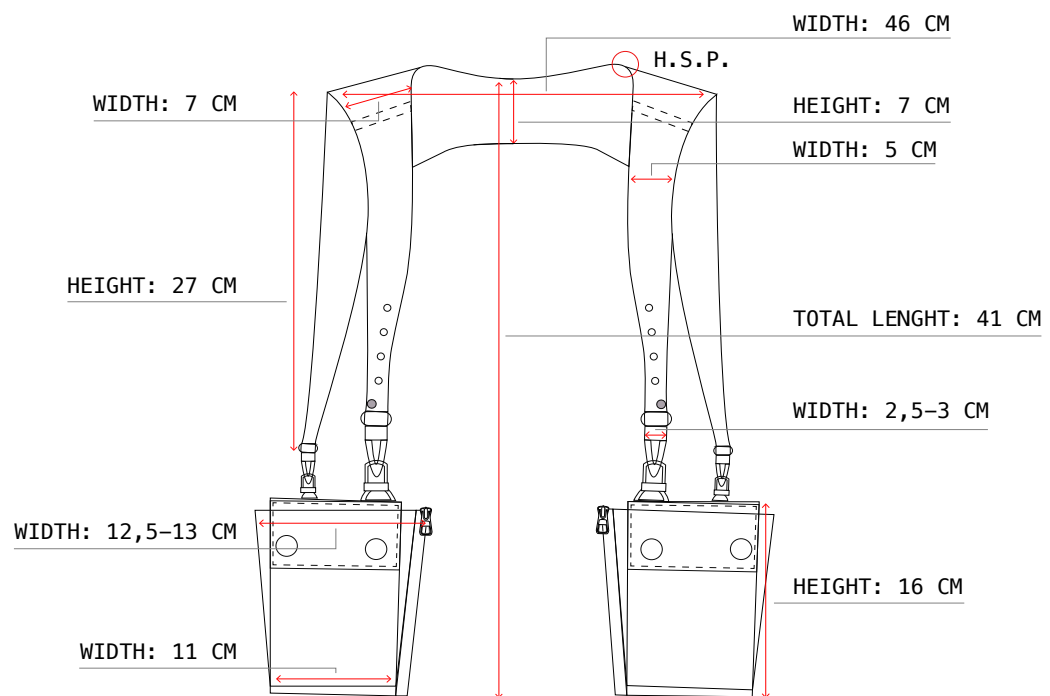
15cm BOTTOM



OUTFIT 3
SEASON: MENSWEAR FALL/WINTER
STYLE: JACKET + TROUSERS
DESIGNER: MARIA SOLE NOVELLI



SEASON: MENSWEAR FALL/WINTER
STYLE: ACCESSORIES
DESIGNER: MARIA SOLE NOVELLI



OUTFIT 1 - TEDDY/ARMY COLLECTION



OUTFIT 2 - TEDDY/ARMY COLLECTION



OUTFIT 3 - TEDDY/ARMY COLLECTION

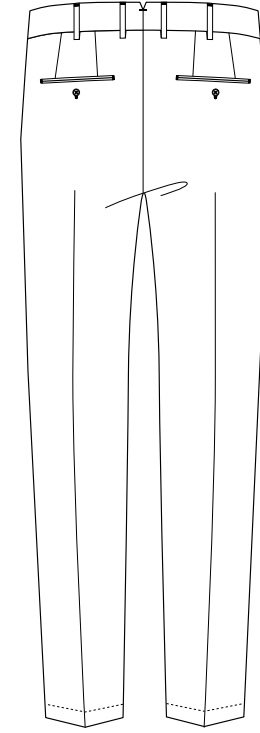
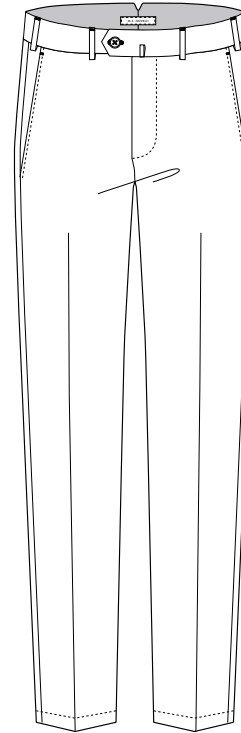
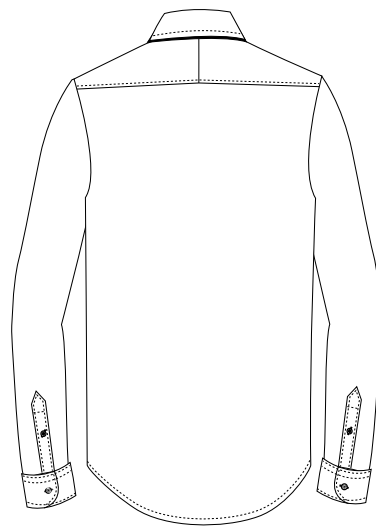
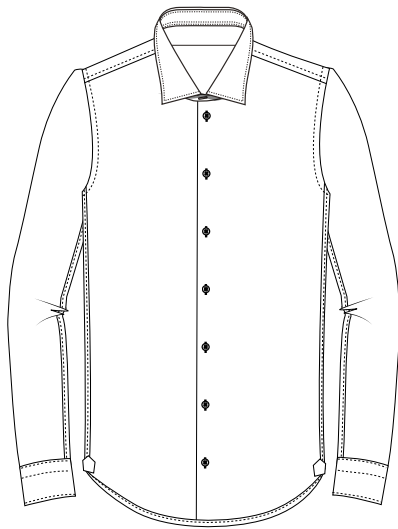
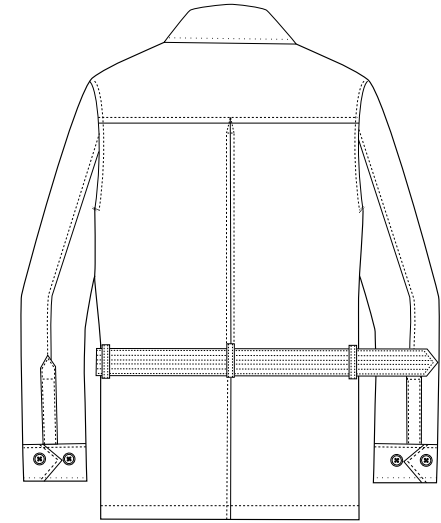
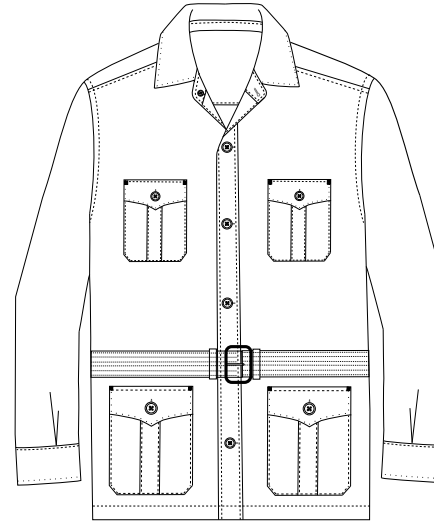
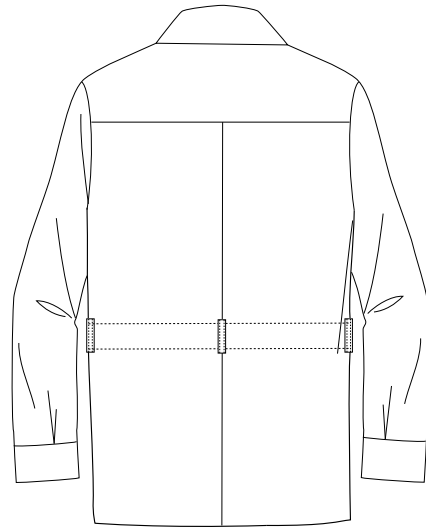
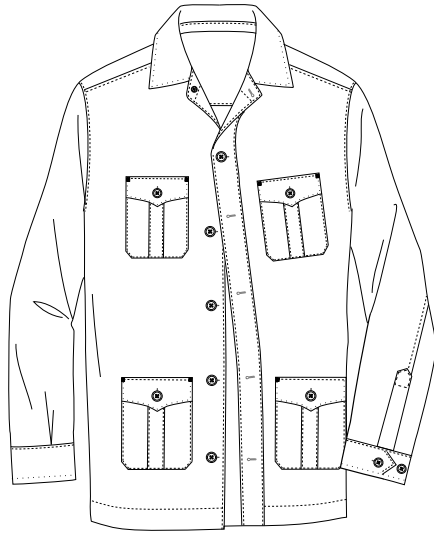




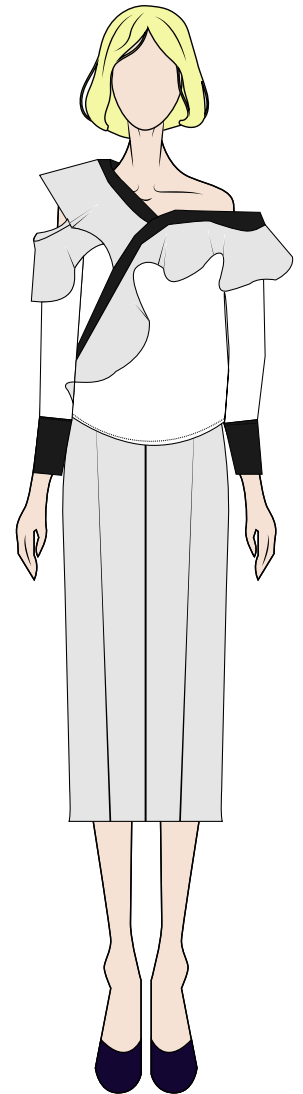
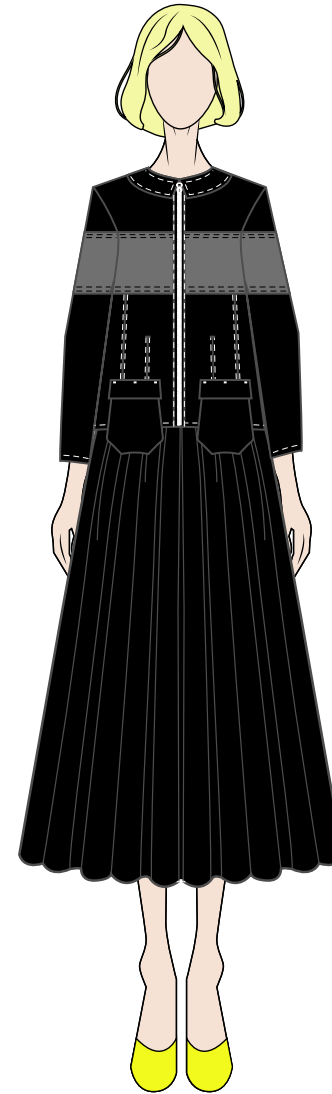
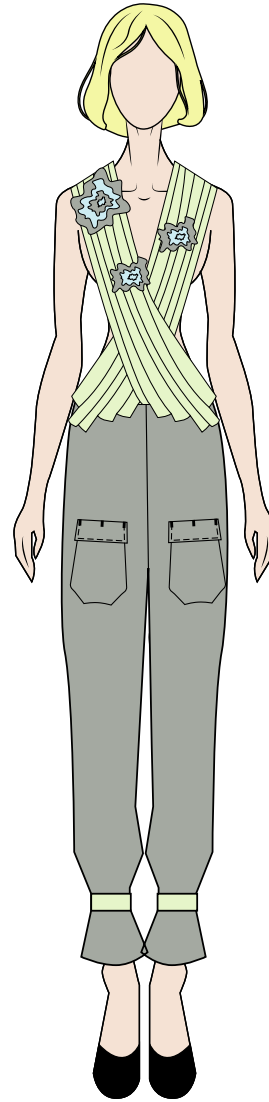
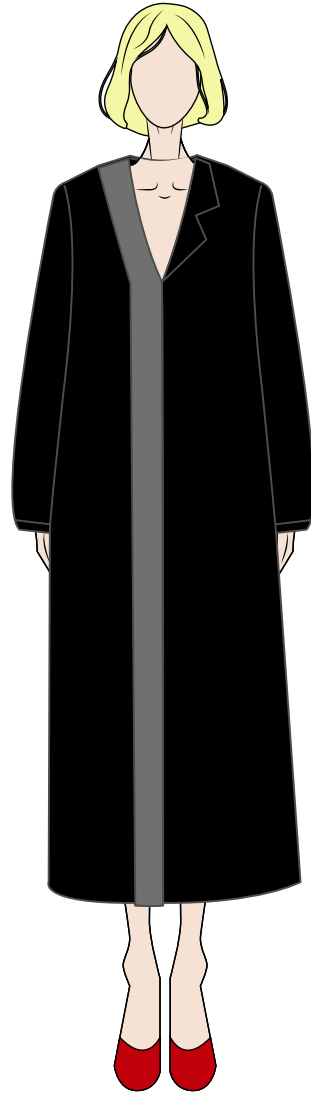
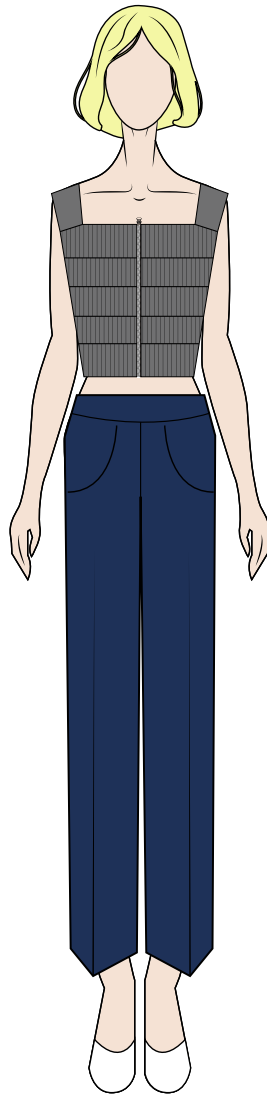
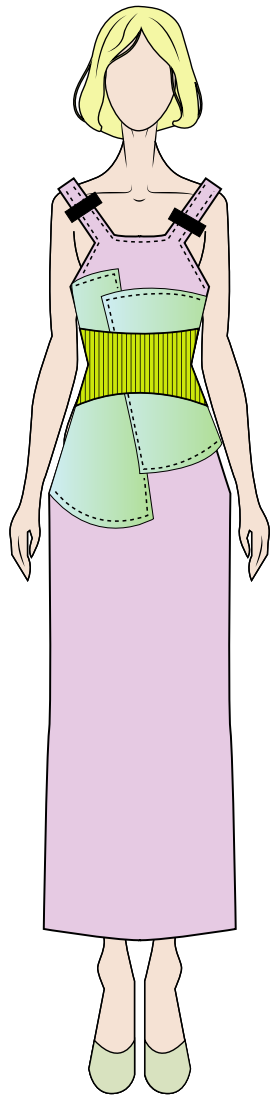
FROM SPECIAL IT IS. PROTECT FLOWERS AS MY INSPIRATION AND I'VE
 THE HEART THE COMING. PROTECT FLOWERS AS MY INSPIRATION AND I'VE
 GIVE TO THIS. COMING. PROTECT FLOWERS AS MY INSPIRATION AND I'VE
 AND SHARES IN TERMS OF BOTANICAL LIVES INSIDE THE CABBAGE. I'M
 GOT TO THE COLOURS AND LINES FOR THE CABBAGE. I'M DRAWING THE
 BEAUTIFUL VERY INTERESTING COMBINATION. THIS PROJECT IS 100%
 TO DO THEM FOR THE COLOUR AND SUSTAINABLE TO USE ARE GREEN AND
 AND ALSO FOR NATURE AND OTHER THINKING LIKE THE CABBAGE. PINK LIKE THE
 BASED ON COTTON. I WAS THINKING LIKE THE CABBAGE. PINK LIKE THE
 RECYCLE. THE MESSAGE OF WHITE LIKE HEART AND YELLOW OF THE SUNRISE
 NATURAL. SIMPLE ANY MORE. LESS IS MORE. THAT WE USUALLY DON'T EVEN
 PAY ATTENTION.

THE LIFE OF A CABBAGE!
 CABBAGE IS A HUMBLE VEGETABLE, USED MORE OFTEN
 PRESENT FOR KITCHENS THEN BY STARRED CHEFS.
 IT AND IT'S ALSO VERY SHY BECAUSE IT'S
 OF PEOPLE DON'T EVEN LIKE THE ALL OF
 REGIST BECAUSE THESE CAULIFLOWER HAS A
 REALLY BEAUTIFUL BALL
 EVEN KNOW
 TO THE CORE





FINAL LINEUP: COLLECTION FALL/WINTER

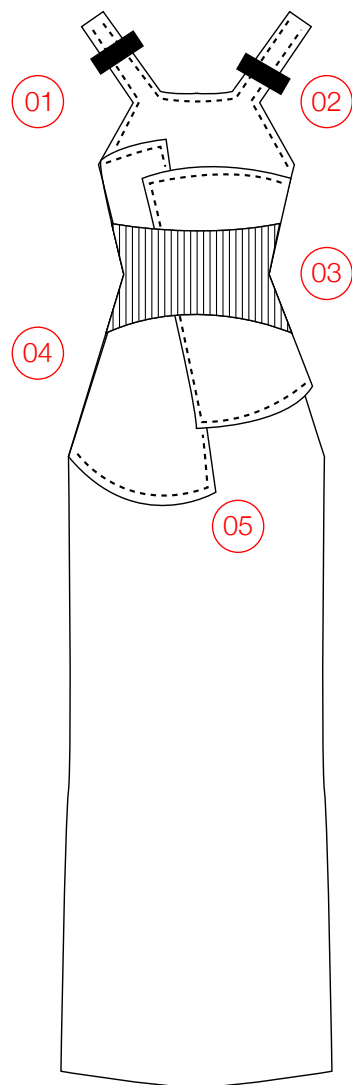




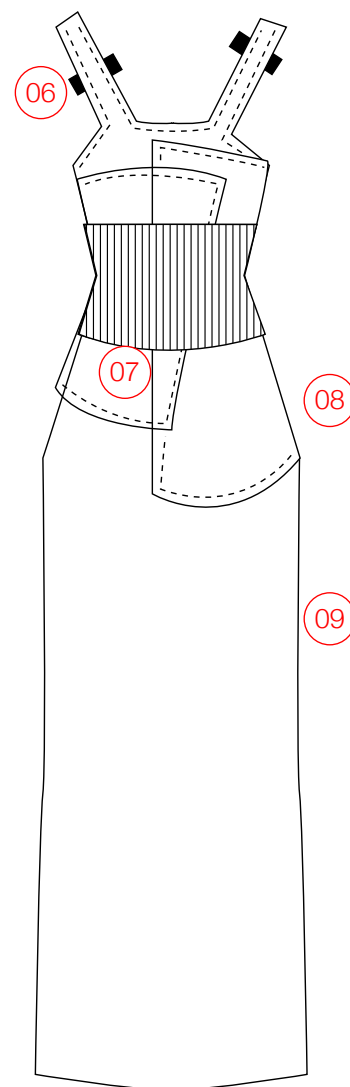
Season: Collection Fall/Winter
Stylename: Outfit 01

Designer: Maria Sole Novelli

FRONT



BACK



- 01. Click Buckle 5 X 5cm
- 02. Visible Sticking 0,2cm
- 03. Ribben 20 cm hight
- 04. Overlap fabric
- 05. Visible stiching 0,2
- 06. 15 X 5 cm sholder band
- 07. 25cmfrom C.B. to C.F
- 08. 30cm from CF to C.B
- 09. total lengh 1mt

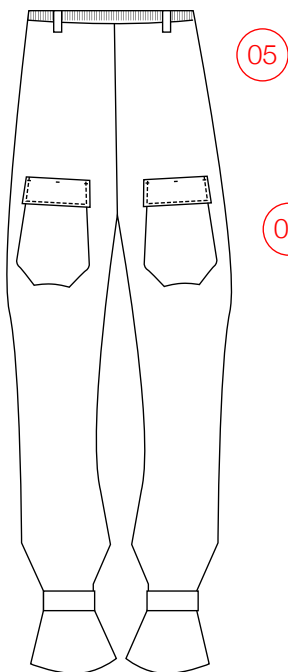
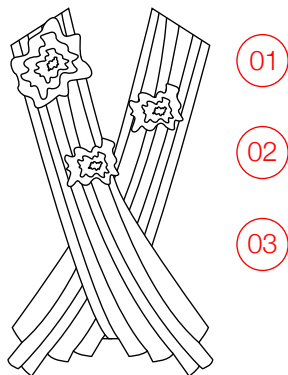
Fabric all dress: Jearsy
2 Click Buckle



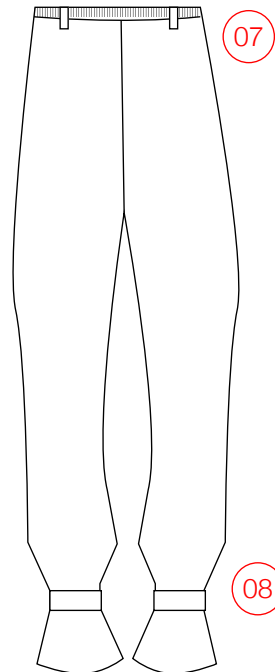
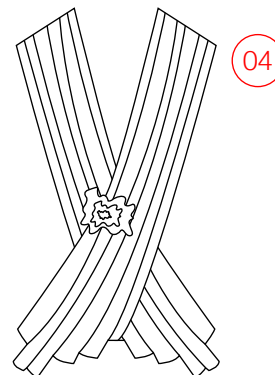
Season: Collection Fall/Winter
Stylename: Outfit 04

Designer: Maria Sole Novelli

FRONT



BACK



- 01. Top length 48 cm
- 02. breast circumference 90 cm
- 03. Circonference hip 90-92cm
- 04. Sholder width 35-36cm
- 05. Lengh trousers 120cm
- 06. Waist line 88-91cm
- 07. Band ankle at 108cm from the C.F
- 08. Ribben on the waist line 5 X 88-91cm
- 09. Pocket 20 X 15cm

Fabric top: Lycra

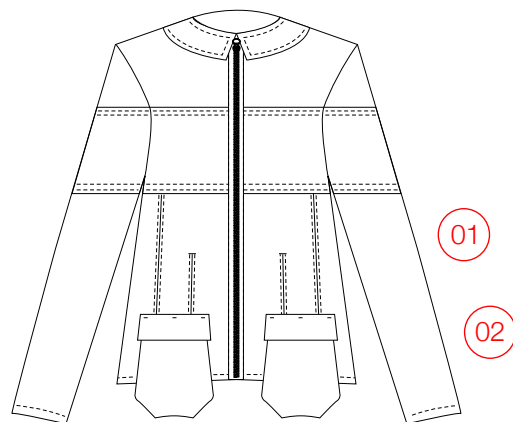
Fabric pants: Nylon



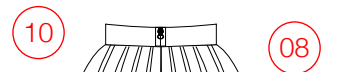
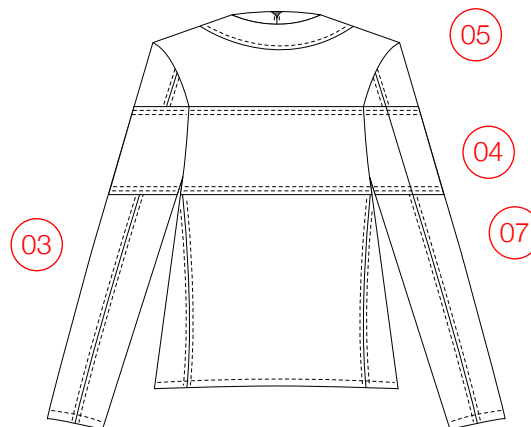
Season: Collection Fall/Winter
Stylename: Outfit 05

Designer: Maria Sole Novelli

FRONT



BACK



- 01. Chest width 78-81cm
- 02. Hip width 88-91cm
- 03. Sleeve 55-56 cm
- 04. Band on top 15-17cm
- 05. Collar 10cm width
- 06. Zip 73cm
- 07. Visible sticking
- 08. Waist skirt 70cm
- 09. Total length: 80cm
- 10. Zip C.B 7cm
- 11. Waist line 70 X 7cm

Fabric jacket: Ledder and my black and white print

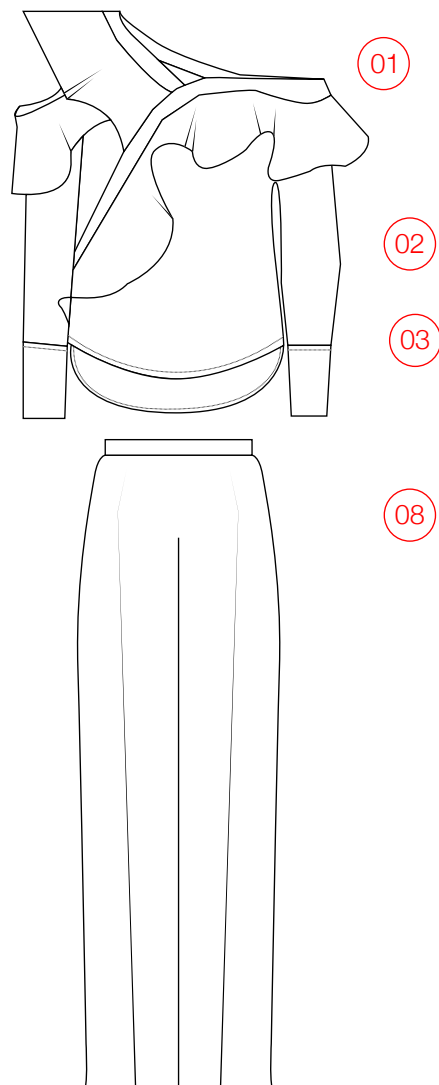
Long skirt: tulle



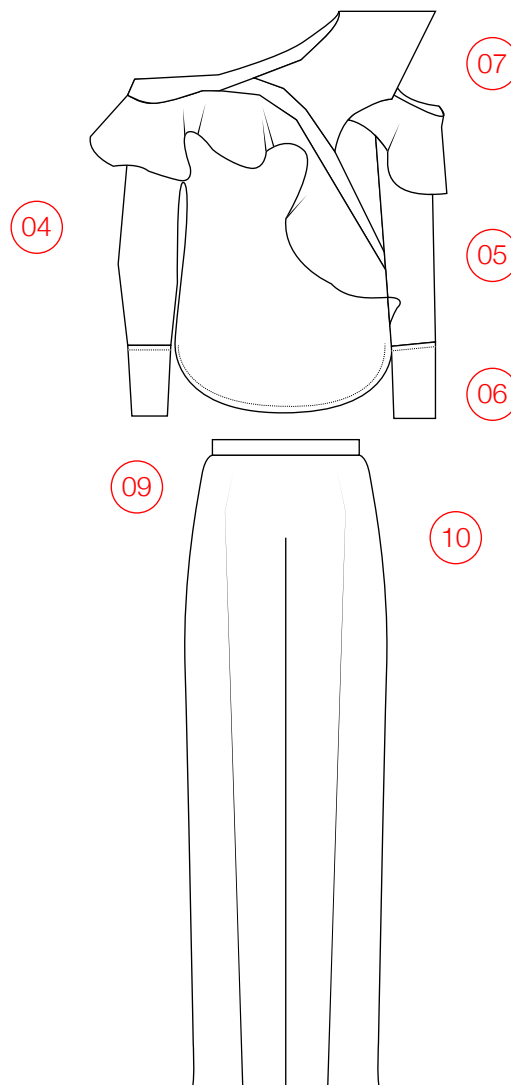
Season: Collection Fall/Winter
Stylename: Outfit 06

Designer: Maria Sole Novelli

FRONT

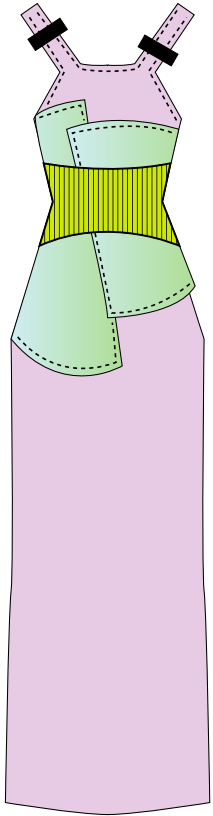


BACK



- 01. Sholder width 35-40cm
- 02. Circonference hip 90-92cm
- 03. Waist line 88cm
- 04. Breast circonference 90cm
- 05. Sleeve lenght 55-56cm
- 06. Cuff lenth 11cm
- 07. Ruffle leght 15cm
- 08. Trousers lenth 117cm
- 09. Waist line trousers 70 X 7cm
- 10. Invisible stiching

Fabric long sleeve : Blue denim
Fabric trousers: Blue denim
The waist band is suppose to be elastic.



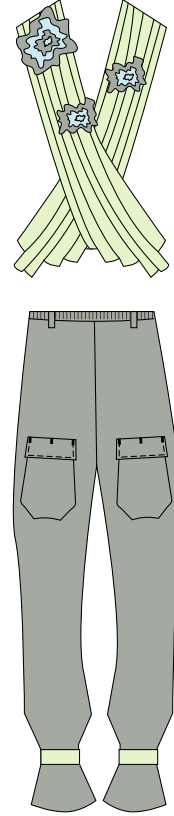
OUTFIT 01



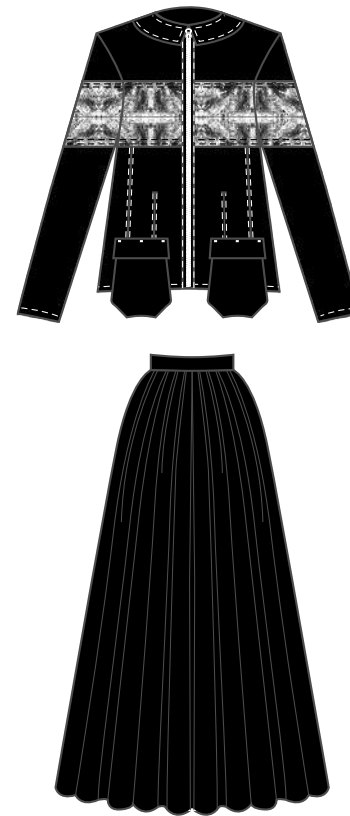
OUTFIT 02



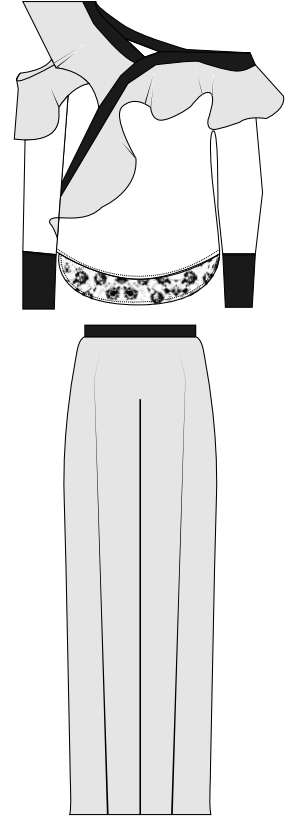
OUTFIT 03



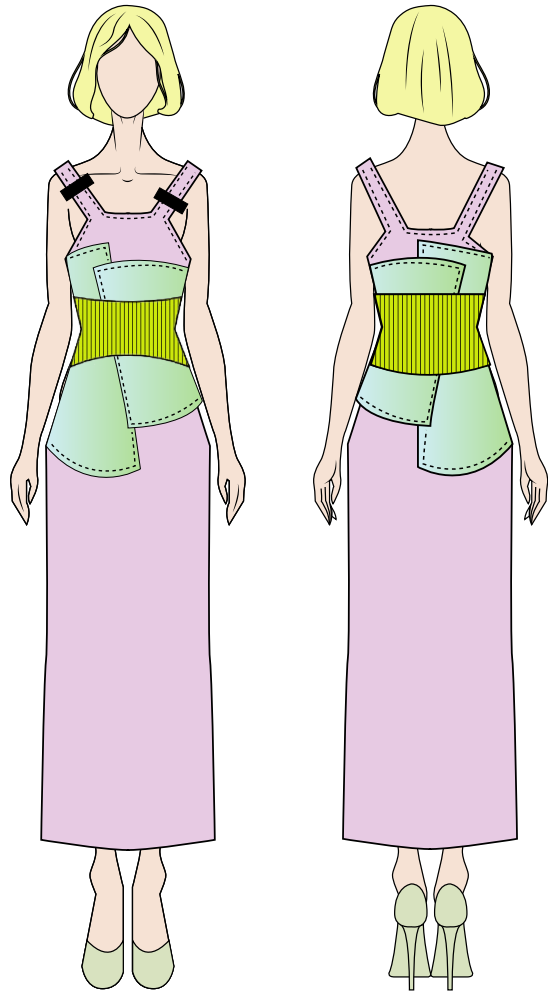
OUTFIT 04



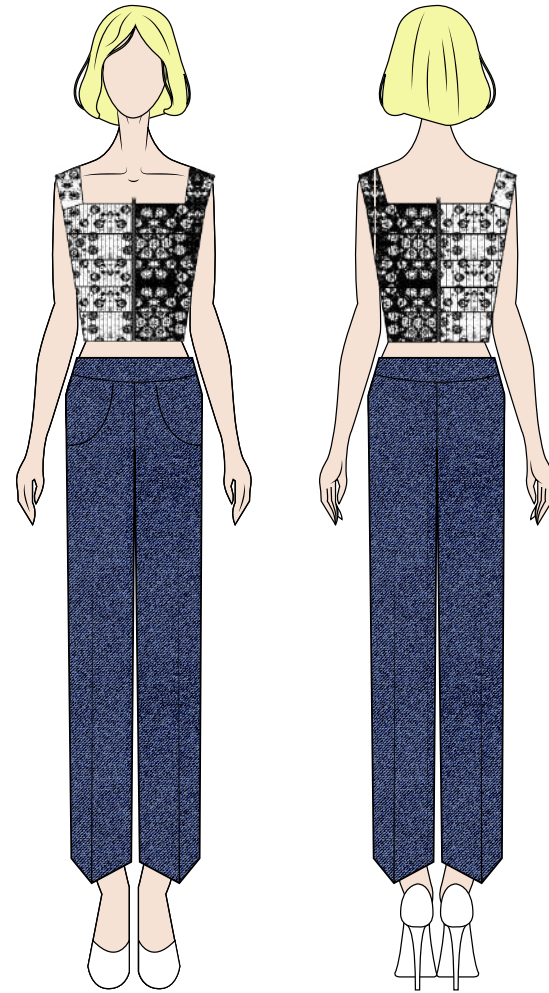
OUTFIT 05



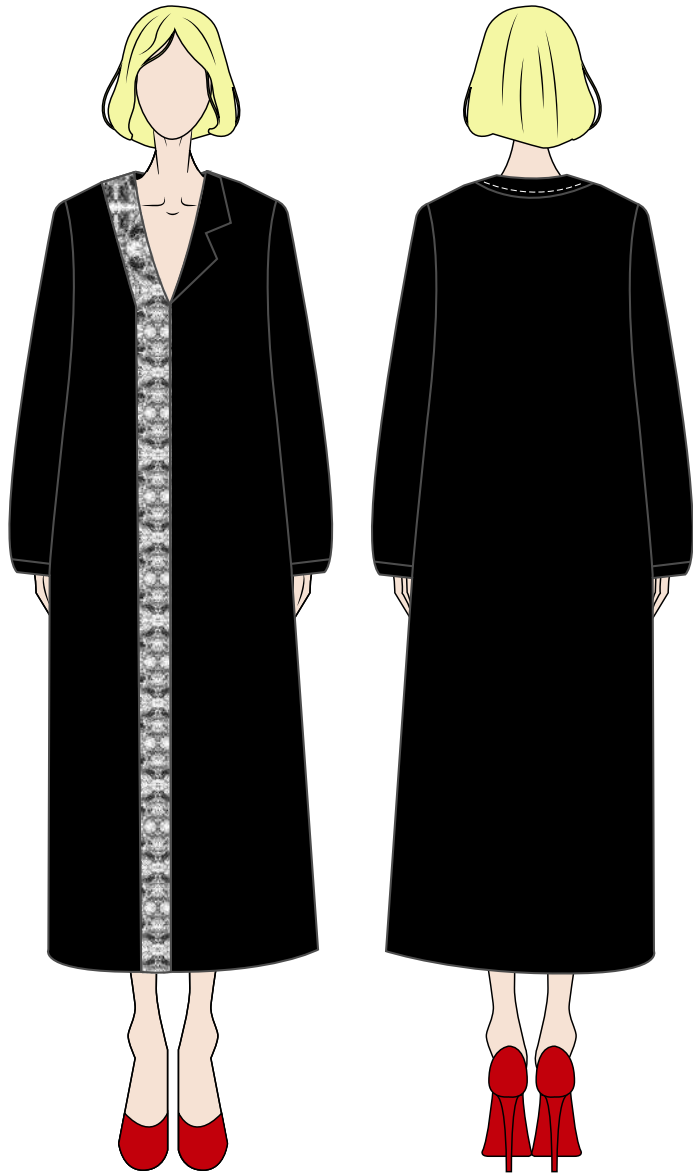
OUTFIT 06



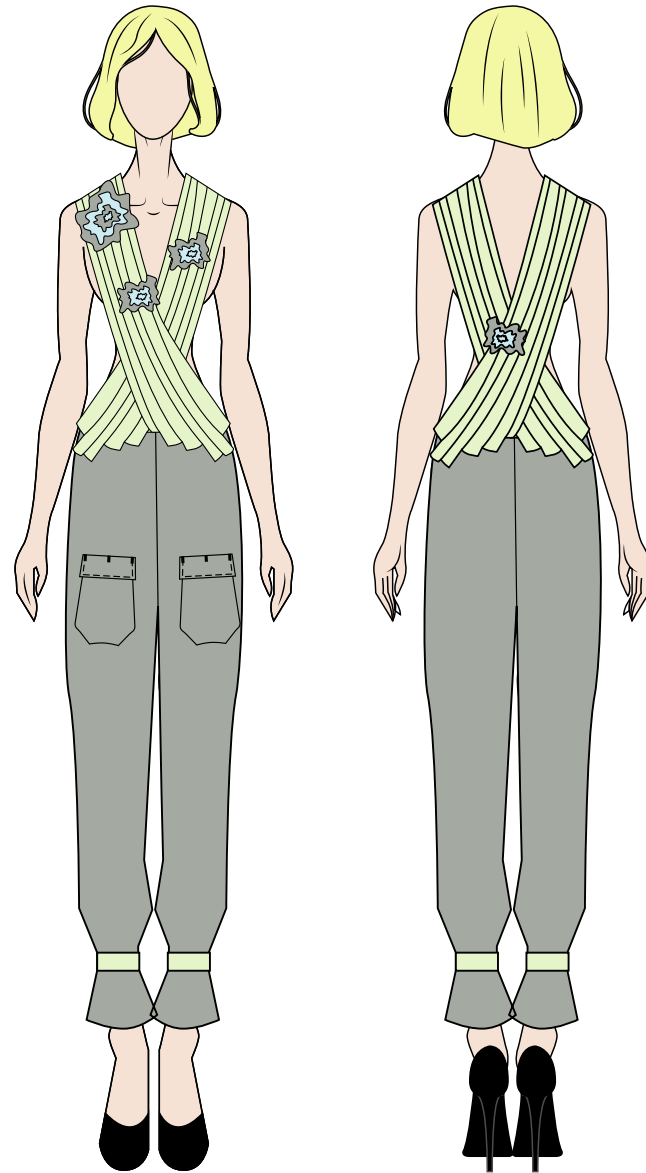
OUTFIT 01



OUTFIT 02



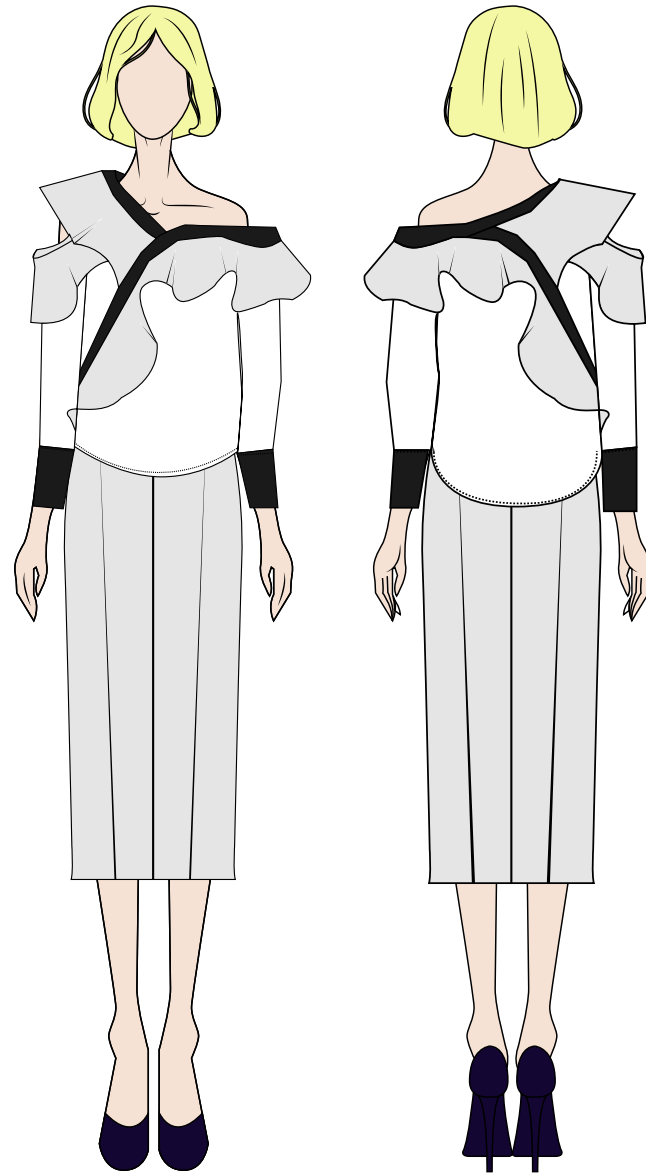
OUTFIT 03



OUTFIT 04



OUTFIT 05



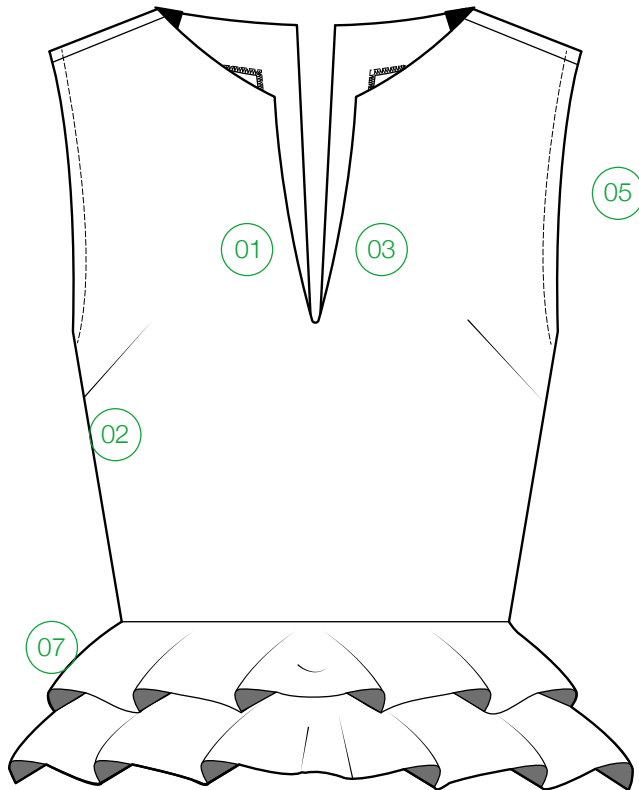
OUTFIT 06



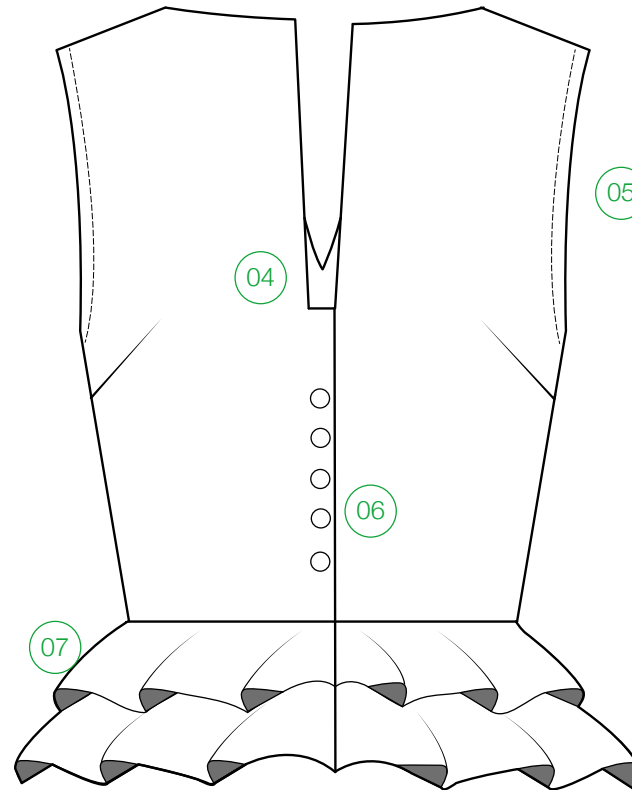
Season: Spring/Summer
Stylename: White ruffles blouse sleeveless

Designer: Maria Sole Novelli

FRONT



BACK



- 01. 12cm front neck drop finished inside with shell fabric facing of 3cm
- 02. 8cm front bust dart
- 03. 3cm shell fabric facing at CF and neckline
- 04. 14cm back neck drop finished inside with shell fabric facing of 3cm
- 05. 20 cm deep arm holes
- 06. 1.5 cm flat plastic buttons
- 07. 10 cm double layer shell fabric ruffle

Fabric: Linen with flat surface

WHITE TOP



WHITE TOP





MARIA SOLE NOVELLI

Fashion & Textile design

☎ +31 645165740

☎ +39 3473765830

✉ mariasolenovelli@mariasolenovelli.com

🌐 www.mariasolenovelli.com